

CLS 6 CIBW / CLS 6 CIBW70V

Flush mount ceiling loudspeaker



Easy
mounting

Flexible
to use

High
volume

Assertive in every situation

One-piece ceiling loudspeaker with ball-proof grille, suitable for installation in ceilings of all kinds. The 130 mm chassis with tweeter cone impresses with a high sound pressure level and an excellent frequency range. Quick mounting in a few seconds is ensured by our quick mounting system, using stainless steel spring clips. The membrane is impregnated and protected against moisture. The fire protection enclosure contains the loudspeaker, no separate mounting of the enclosure is necessary. Suitable for EVAC applications according to DIN 60849.

Features and highlights

- Suitable for flush ceiling mounting
- Robust metal housing
- Can be combined with any 70/100 V Series AF Commend amplifier

CLS 6 CIBW / CLS 6 CIBW70V

Technical specifications



Technical data

| | |
|--|------------------------------|
| Housing: | metal |
| Sound pressure level: | 93 dB (1 W/1 m) |
| Max. sound pressure level: | 101 dB (1 m) |
| Loudspeaker frequency range: | 70 Hz to 19 kHz (-10 dB) |
| Loudspeaker transmission angle: | 140° |
| Connections: | 4-pole screw down terminal |
| Colour: | white (RAL 9010) |
| Ceiling cut-out Ø | 140 – 150 mm (5.51 – 5.9 in) |
| Dimensions (Ø x D): | 167 x 95 mm (6.57 x 3.74 in) |
| Weight incl. package: | approx. 1,215 g (2.7 lbs) |

Impedances and transformer matching

| Product version: | CLS 6 CIBW | CLS 6 CIBW | CLS 6 CIBW70V |
|---|--------------------------|--------------------------|-------------------------|
| Operating voltage: | 100 V | 70 V | 70 V |
| Load rating: | 6 W | 3 W | 6 W |
| Loudspeaker impedance: | 1.6 kΩ/3.3 kΩ/ 6.6 kΩ | 1.6 kΩ/3.3 kΩ/ 6.6 kΩ | 816 Ω/1.6 kΩ/ 3.2 kΩ |
| Transformer matching (yellow/red/black): | 6 W/3 W/1.5 W | 3 W/1.5 W/0.75 W | 6 W/3 W/1.5 W |

Extent of supply

- Loudspeaker
- Fire protection enclosure
- Short reference

CLS 6 CIBW / CLS 6 CIBW70V

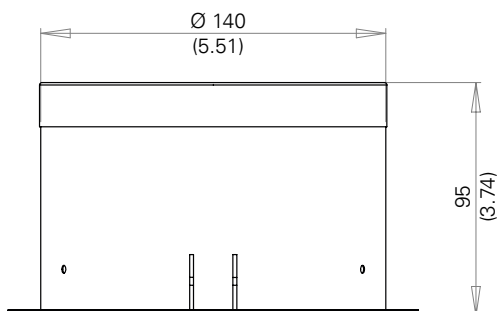
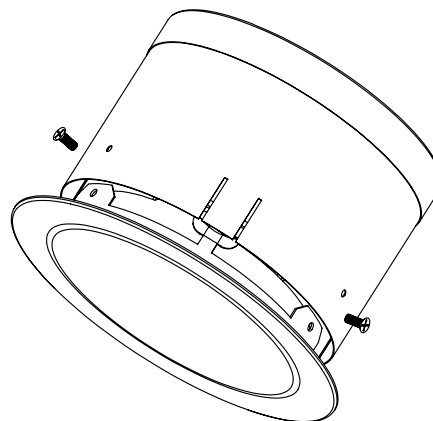
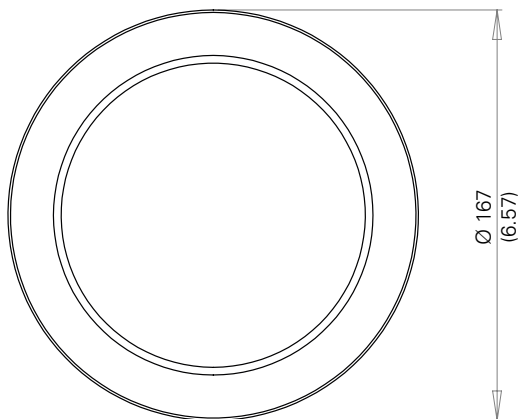
Installation instructions

Mounting instructions

- Do not install the device on unstable walls or on surfaces which cannot support the device's weight.
- This device shall be installed or replaced by trained and qualified personnel only, and only when the power supply is disconnected.
- Observe the country-specific standards for installation, mounting and configuration.
- Install or store this device out of the reach of children and do not allow persons unfamiliar with the device and these instructions to handle and operate the device.
- All connected circuits shall fulfil the requirements for ES1 circuits (cf. SELV acc. IEC/EN 60950-1) and PS2 (Limited Power Source) as per IEC/EN 62368-1.

Dimensions

Measuring units in mm (in), not to scale!



Quality tested. Reliable. Smart.

COMMEND products are developed and manufactured by Commend International in Salzburg, Austria.

The development and manufacturing processes are certified in accordance with **EN ISO 9001:2015**.



The technical data contained herein has been provided solely for informational purposes and is not legally binding. Subject to change, technical or otherwise. lolP®, OpenDuplex® and Commend® are trademarks registered by Commend International GmbH. All other brands or product names are trademarks or registered trademarks of the respective owner and have not been specifically earmarked.

A strong worldwide network

COMMEND is represented all over the world by local Commend Partners and helps to improve security and communication with tailored Intercom solutions.

www.commend.com