

# PA 25W POE-DC

Power injector providing PoE+



Up to  
1 Gbps

PoE and  
PoE+

Simple  
connection

Compact  
size

## Flexible power supply and installation

In applications where PoE (short for "Power over Ethernet") sourcing equipment is not available, the power injector PA 25W POE-DC offers a compact, convenient solution. It provides both power and data over a single Ethernet cable.

The PA 25W POE-DC is optimised for use with a series WS 300V station. Thanks to its compact size, it can easily be installed inside the surface mount box WSSH 50V or the flush mount box WSFB 50V.

## Features and highlights

- Transmission bandwidth up to 1 Gbps
- Provides PoE and PoE+
- IEEE 802.3af/at compliant design
- Flexible power supply (24–48 VDC)
- Compact, space-saving housing
- Power status LED
- Simple plug-and-play installation

# PA 25W POE-DC

## Technical specifications

### Technical data PA 25W POE-DC

<b>Data rate:</b>	10/100/1000 Mbps
<b>Input:</b>	input voltage: 24–48 VDC ( $\pm 20\%$ ) max. input current: 1.9 A
<b>Output:</b>	max. output power: 30 W PoE output voltage: 57 VDC
<b>PoE standard:</b>	IEEE 802.3af/at
<b>PoE pin assignment:</b>	4/5 (+), 7/8 (-)
<b>Status indicator:</b>	LED for input power
<b>Cabling:</b>	min. Cat. 5
<b>Operating temperature range:</b>	-40 °C to +65 °C (-40 °F to +149 °F)
<b>Storage temperature range:</b>	-40 °C to +65 °C (-40 °F to +149 °F)
<b>Relative humidity:</b>	up to 95%, not condensing
<b>Dimensions (H x W x D):</b>	130 x 34.5 x 20 mm (5.12 x 1.36 x 0.79 in)
<b>Weight:</b>	80 g (0.18 lbs)



### Line length in LAN

The maximum line length of Cat. 6 cabling in a LAN is 100 m (328 ft).

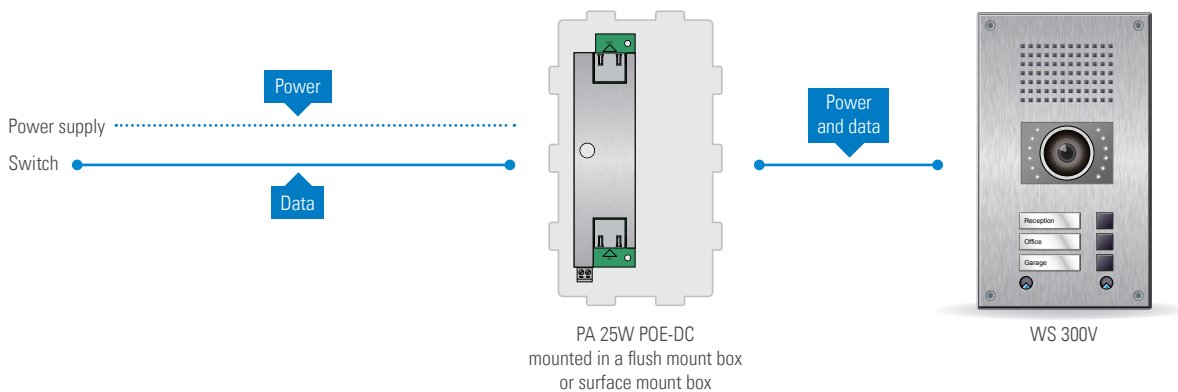
### Extent of supply

- Power injector
- Screws for mounting (2 x Torx T10 self-tapping screws, 3 x 6 mm)
- Cat. 6 Ethernet cable (300 mm)
- Short reference

### EMC compatibility

This is a Class A product. In a domestic environment, this product may cause radio interference in which case the user may be required to take adequate measures.

### System overview



# PA 25W POE-DC

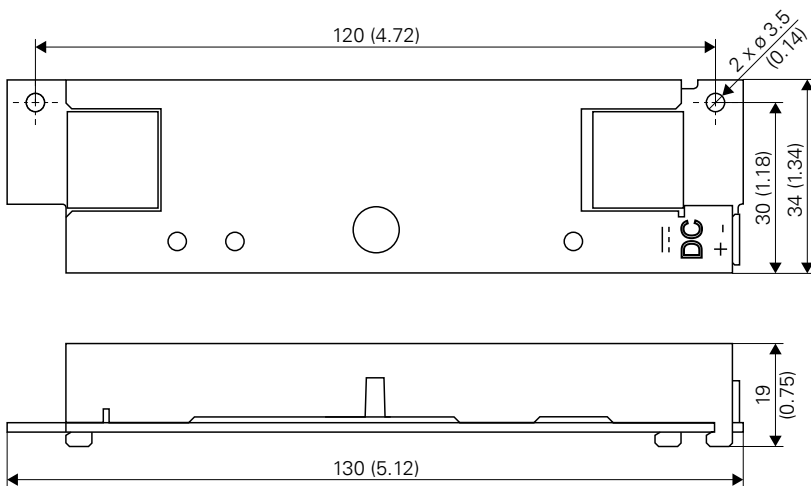
## Installation instructions

### Mounting instructions

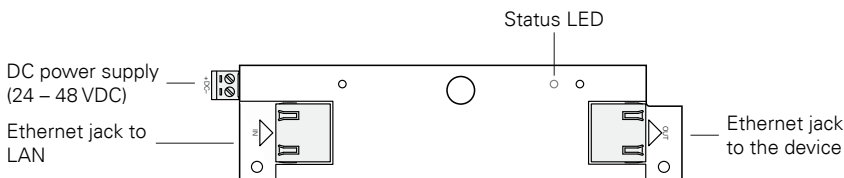
- This device shall be installed or replaced by trained and qualified personnel only.
- Only use recommended tools when installing the device.
- This device is designed to be used with a WS 300V. It shall be mounted within a surface or flush mount box where uninsulated conductors are not accessible to the user.
- The connected power supply shall fulfil the requirements for Safety Extra Low Voltage (SELV) and Limited Power Source (LPS) according to IEC/EN 60950-1.
- Use shielded Ethernet cables only.
- Before using the device, ensure all cables are correctly connected and not damaged.
- Disconnect the power supply cable for any maintenance of the device.
- Allow the device to cool down completely before touching it.
- Do not make any unauthorised modifications to the device.

### Dimensions

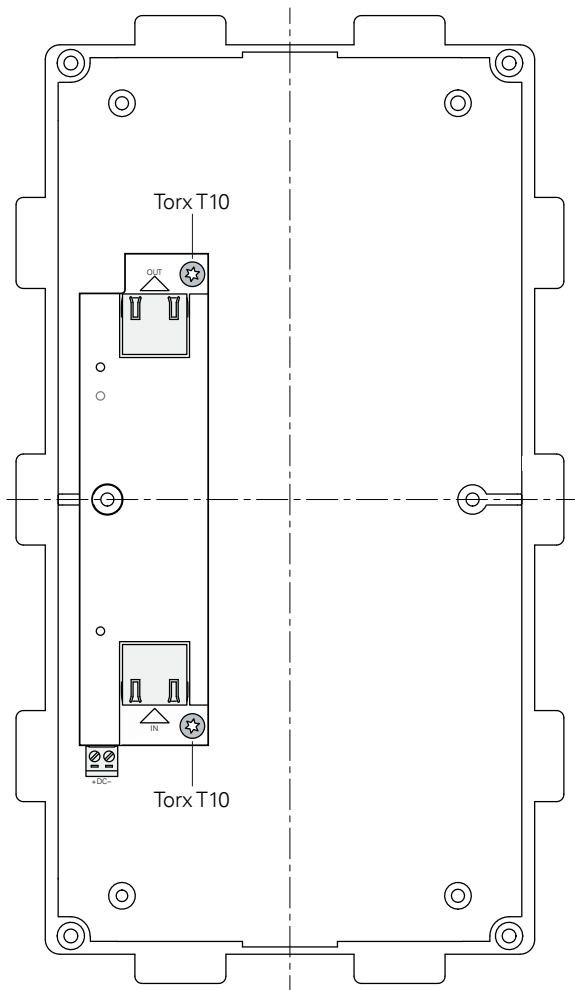
Measuring units in mm (in), not to scale!



### Connection diagram



Mounting within the surface mount box WSSH 50V or flush mount box WSFB 50V



**NOTE: Mounting**

The power injector must always be placed on the left side within a surface mount box or flush mount box.

Quality tested. Reliable. Smart.

COMMEND products are developed and manufactured by Commend International in Salzburg, Austria.

The development and manufacturing processes are certified in accordance with **EN ISO 9001:2015**.



The technical data contained herein has been provided solely for informational purposes and is not legally binding. Subject to change, technical or otherwise. lolP®, OpenDuplex® and Commend® are trademarks registered by Commend International GmbH. All other brands or product names are trademarks or registered trademarks of the respective owner and have not been specifically earmarked.

A strong worldwide network

COMMEND is represented all over the world by local Commend Partners and helps to improve security and communication with tailored Intercom solutions.

[www.commend.com](http://www.commend.com)

