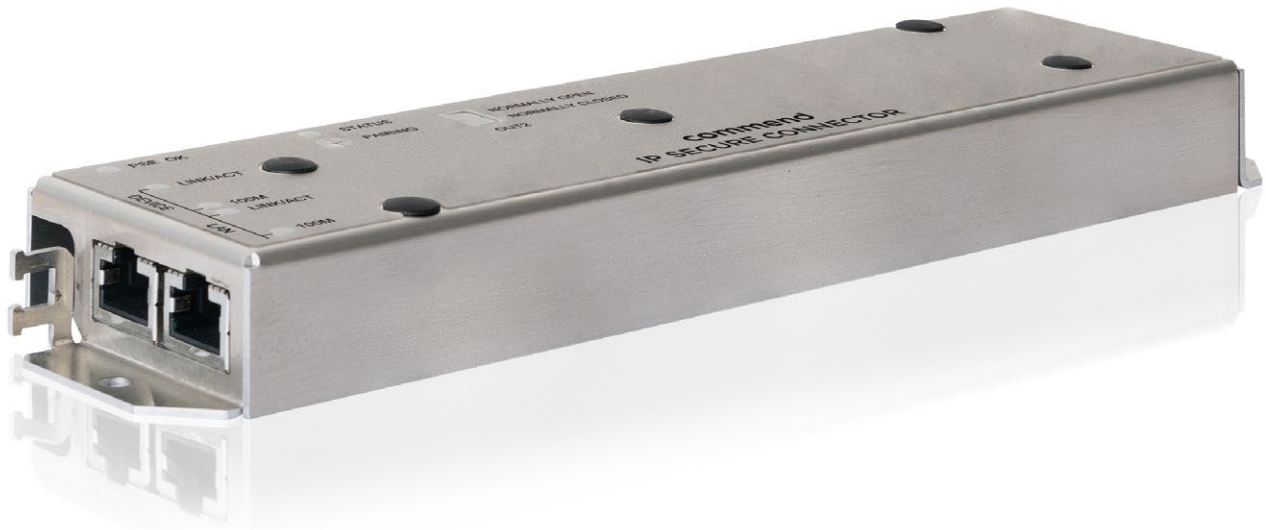


IP Secure Connector IP-CON

Safety switch box with PoE+ power supply, two inputs and three outputs



Fully
IP-based

Future-proof
system

Offline
functionality

Maximum
security

Highest safety and security

The IP Secure Connector provides high performance and security, even if the connected station is located outdoors: If an unauthorised attempt is made to remove the station, e.g. to access the Ethernet cable connected to the device, the IP Secure Connector interrupts the connection to the station and the LAN. This ensures that it is neither possible to access the network nor to open a door or gate.

Additionally, the IP Secure Connector provides power supply in form of PoE+ and has two inputs as well as three outputs. The IP Secure Connector provides all these features even if the connection to a switch box or SIP server is interrupted. The IP Secure Connector is optimised for use with a CONCERTO station.

Features and highlights

- IP-based, future-proof system solution
- Offers two inputs as well as three outputs
- Allows direct connection of a CONCERTO station thanks to the PoE+ power supply on the Ethernet output jack
- Can flexibly be supplied with a voltage of 12 to 30 VDC
- Works absolutely independently of a switch, a SIP server or the Internet, if required

IP Secure Connector IP-CON

Technical specifications



Technical data IP Secure Connector IP-CON

IP rating:	IP20 (acc. EN 60529)
Inputs:	IN1 and IN2: 12–30 VDC, 22 mA (switching status can only be detected by means of an external power supply)
Outputs:	OUT1 and OUT2: potential free, 6–24 VAC/VDC ($\pm 15\%$), max. 2 A/max. 100 W DC-OUT 3: ground referenced, 12–30 VDC, max. 1.5 A
Power supply:	12–30 VDC ($\pm 15\%$) stabilised, max. 4 A/max. 100 W
PoE standard:	IEEE 802.3af/at
Cabling:	min. Cat. 5
Operating temperature range:	–20 °C to +50 °C (–4 °F to +122 °F)
Storage temperature range:	–20 °C to +70 °C (–4 °F to +158 °F)
Relative humidity:	up to 95%, not condensing
Dimensions (W x H x D):	59 x 262 x 26 mm (2.32 x 10.31 x 1.02 in)
Weight incl. package:	415 g (0.915 lbs)

Extent of supply

- Safety switch box
- 4 x self-tapping screw (cross-head, 4.2 x 9.5 mm)
- 6 x plug connector (bipolar, RM3.5)
- 2 x cable tie (10 cm)
- Snap ferrite
- Short reference

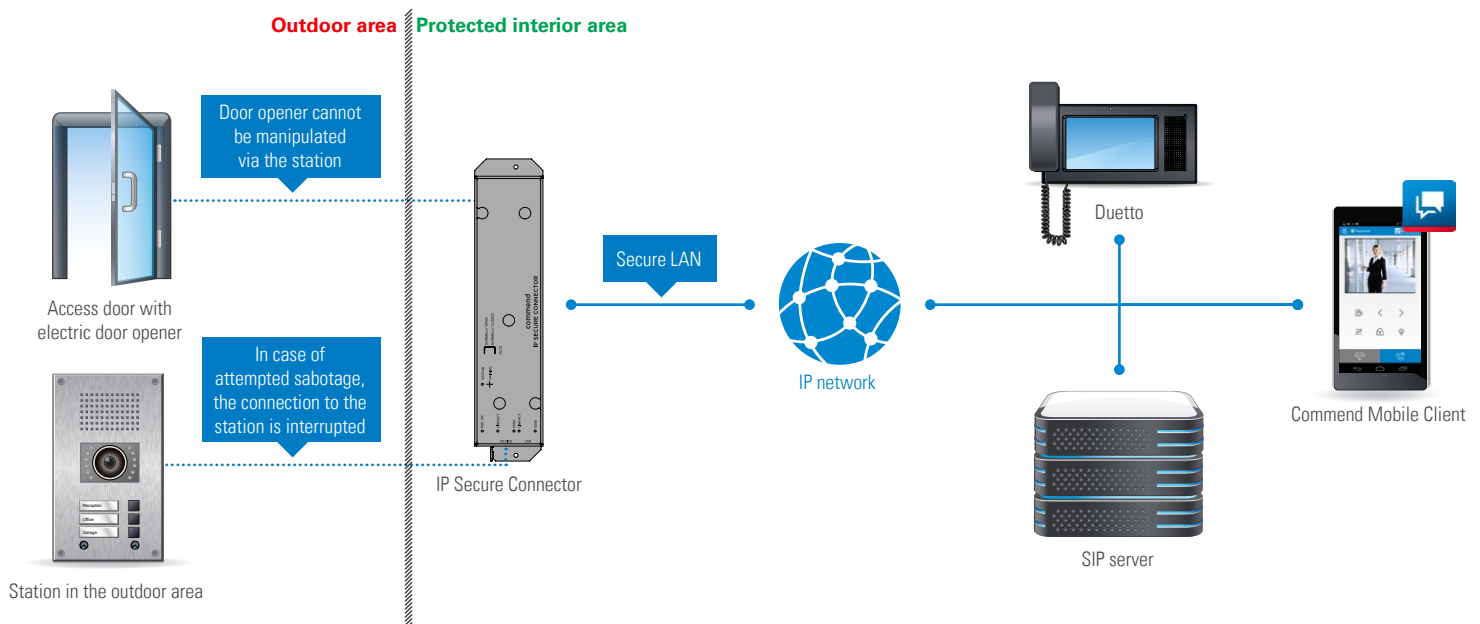
Line length in LAN

The maximum line length of Cat. 5 cabling in a LAN is 100 m (328 ft) – e.g. from switch to the IP Secure Connector.

Accessories

Power supply PA60W24V (must be ordered separately)

System overview



IP Secure Connector IP-CON

Installation instructions

Mounting instructions

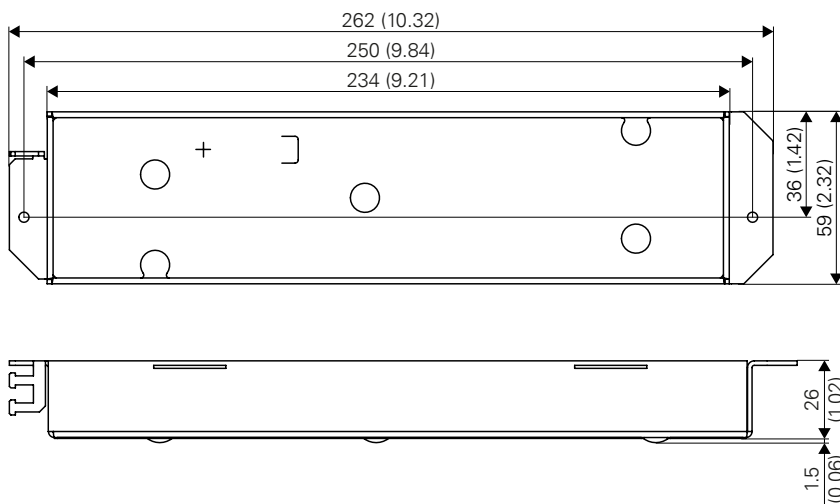
- Do not place the device in areas where it may become wet or damp, and avoid dusty, humid and high temperature environments.
- Only use recommended tools when installing the device.
- Use shielded Ethernet cables only.
- Before using the device, ensure all cables are connected correctly and are not damaged.
- This is a Class A product (standard EN 55032). In a domestic environment this product may cause radio interference in which case the user may be required to take adequate measures.
- This equipment has been tested and found to comply with the limits for a Class A digital device, pursuant to part 15 of the FCC rules. These limits are designed to provide reasonable protection against harmful interference when the equipment is operated in a commercial environment. This equipment generates, uses and can radiate radio frequency energy and, if not installed and used in accordance with the instruction manual, may cause harmful interference to radio communications. Operation of this equipment in a residential area is likely to cause harmful interference in which case the user will be required to correct the interference at his own expense.

Safety instructions

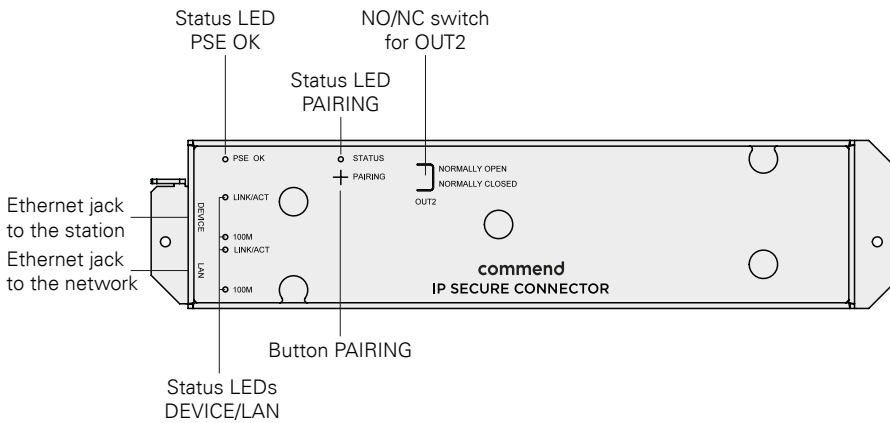
- This device shall be installed or replaced by trained and qualified personnel only.
- Disconnect the power cable from the device for any maintenance.
- Only accessories that comply with the device's technical specifications shall be used.
- Allow the device to cool down completely before touching parts inside.
- Install or store this device out of the reach of children and do not allow persons unfamiliar with the device and these instructions to handle and operate the device.
- All changes or modifications not expressly approved by the party responsible for compliance could void the user's authority to operate the equipment.
- All connected circuits shall fulfil the following requirements:
 - Safety Extra Low Voltage (SELV) and Limited Power Source (LPS) according to IEC/EN 60950-1 or
 - ES1, PS2 circuits and Annex Q (Limited Power Source) according to IEC/EN/UL 62368-1

Dimensions front panel

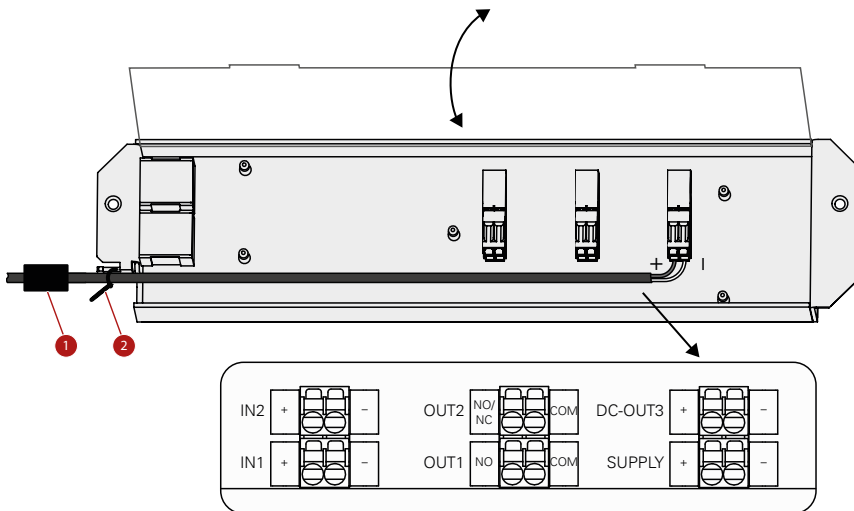
Measuring units in mm (in), not to scale!



Overview



Connection, mounting



- 1 Attach the snap ferrite to the housing as closely as possible.
- 2 Fix the cable to the strain relief using cable ties.

Quality tested. Reliable. Smart.

COMMEND products are developed and manufactured by Commend International in Salzburg, Austria.

The development and manufacturing processes are certified in accordance with **EN ISO 9001:2015**.



The technical data contained herein has been provided solely for informational purposes and is not legally binding. Subject to change, technical or otherwise. IoT®, OpenDuplex® and Commend® are trademarks registered by Commend International GmbH. All other brands or product names are trademarks or registered trademarks of the respective owner and have not been specifically earmarked.

A strong worldwide network

COMMEND is represented all over the world by local Commend Partners and helps to improve security and communication with tailored Intercom solutions.

www.commend.com