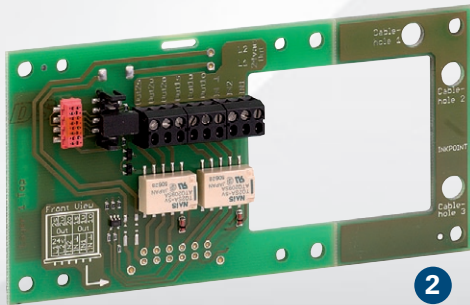
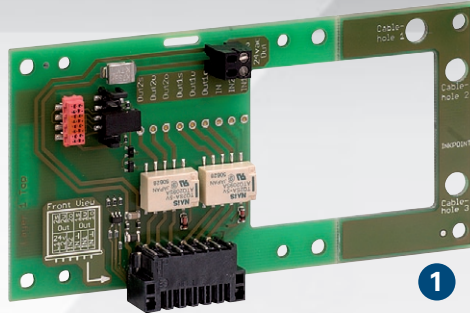


## EB2E2A



## Option Board EB2E2A

With the EB2E2A option board, Intercom terminals with an expansion plug can be upgraded to handle additional inputs and outputs. Therefore specific applications can be solved with ease.

Furthermore the EB2E2A can be integrated in the housing of the IP-Intercom Box ET 901 and the EB2E2AHE can be

combined with the IP-Intercom PCB ET 901HE.

If the option board EB2E2AHE is shortened by means of the break-off notch, then it also can be used at an ET 808, an IP-Intercom module ET 908 / ET 908-1 or an IP-Intercom box ET 901 lower than "Revision AG".

### 1. EB2E2A

Option board for I/O expansion of Intercom terminals, IP-Intercom box ET 901 and ET 901WP for connection of 2 inputs for floating contacts and two relay outputs via I/O plug. Includes front panel for ET 901 housing.

### 2. EB2E2AHE

Option board for I/O expansion of Intercom terminals, IP-Intercom modules ET 908 / ET 908-1 and IP-Intercom PCB ET 901HE for connection of 2 inputs for floating contacts and two relay outputs via pluggable screw terminals.

## Technical Data – Benefits

### TECHNICAL DATA

Inputs:	2 inputs for floating contacts, max. 1 kOhm
Outputs:	2 relay outputs (changeover contacts) 30 V / 3 A: 50,000 make-and-break cycles 30 V / 2 A: 100,000 make-and-break cycles
Operating temperature range:	-20° C to +60° C (-4° F to 140° F)
Storage temperature range:	-20° C to +60° C (-4° F to 140° F)
Relative Humidity:	up to 80%
Plug:	2 x expansion plug EB2E2A: I/O plug / EB2E2AHE: I/O screw terminals EB2E2A: screw terminals for power supply ET 901
Measurements:	130 x 65 x 12 mm (5.12 x 2.56 x 0.47 in)
Weight incl. package:	EB2E2A: about 30 g (0.1 lbs) EB2E2AHE: about 30 g (0.1 lbs)

### EXTENT OF SUPPLY

1 EB2E2A option board including:

- Ribbon cable (8-way)
- I/O mating connector
- Short reference

1 EB2E2AHE option board including:

- Ribbon cable (8-way)
- Mounting kit (8 x spacer, 4 x over-head screw)
- Short reference

### BENEFITS

- Two inputs for floating contacts and two relay outputs
- Easy expansion of Intercom terminals with expansion plug (e.g. ET 901, ET 908, ET 311, ET 312, ET 808, ...)
- Easy administration via central parametrization
- Easy subsequent I/O expansion of IP-Intercom boxes ET 901 with "Revision AF" and below (because of break-off notch)
- Easy connection of I/O contacts by means of I/O plug on EB2E2A
- Possibility for power supply of IP-Intercom box ET 901 over EB2E2A
- Easy cable routing because of cable holes
- For reasons of compatibility equipped with 2 different expansion plugs

### SYSTEM REQUIREMENTS

- GE 800 with G8-GED or G8-IP / G8-IP-32
- GE 300 with G3-GED or G3-IP
- GE 700 (min. Pro 05.6) with G7-DSP-IP, G7-GED-DSP or G7-GED-4 (min V02.2)
- GE 200 (min. Pro 05.6) with G2-DSP-IP or G2-GED-4
- For an ET 901 / ET 901WP / ET 901HE expanded with EB2E2A / EB2E2AHE, firmware min. version 1.0
- For an ET 311 / ET 312 / ET 808 expanded with EB2E2AHE, firmware min. version 3.0 and min. CCT 5.7 Build 11
- For an ET 908 / ET 908-1 expanded with EB2E2AHE, firmware min. version 3.0

# Installation

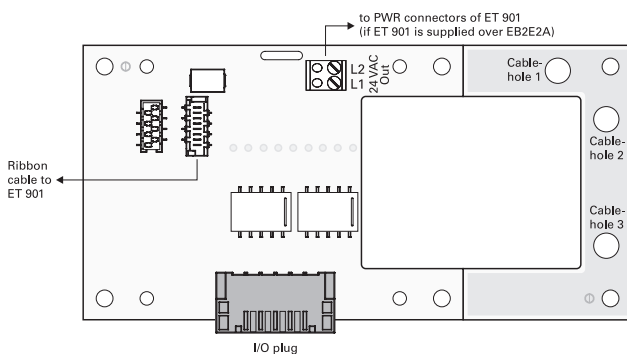
## PRECAUTIONS

- Observe the precautions for handling of electrostatic sensitive devices.
- The option boards may be installed only with voltage switched off.
- The option boards may only be installed by authorised service engineers.

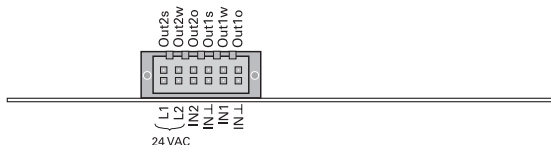
## GENERAL NOTES

- The option boards are indicated in the program CCT 800 at "Subscriber" – "Station properties" as subfolder of the respective station folder.
- When in use of an option board at an ET 808 or ET 311 / ET 312, in the program CCT 800 the entry "EB2E2A" has to be selected for the respective subscriber at "Subscriber" – "Station properties" – column "Additional device" (because the option board is not detected automatically by reading out the configuration of the Intercom Server).
- When in use of an option board at an ET 808, ET 908 / ET 908-1 or ET 901 up to Rev. AF, the option board has to be shortened at the break-off notch.
- Because of reasons of compatibility, the option board as well as the 8-way ribbon cable (included in extent of supply), is equipped with two different connectors – as e.g. an ET 311 is equipped with an other connector than an ET 901 as of Rev AG.

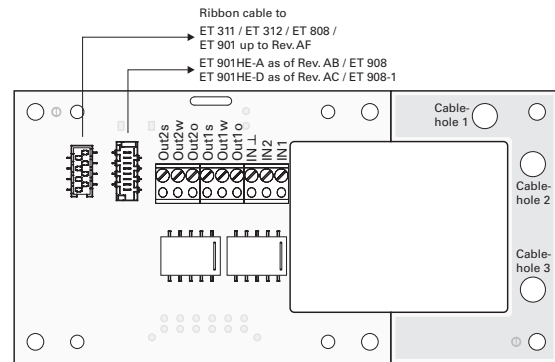
## CONNECTION EB2E2A



### Pin assignment I/O plug (front view):

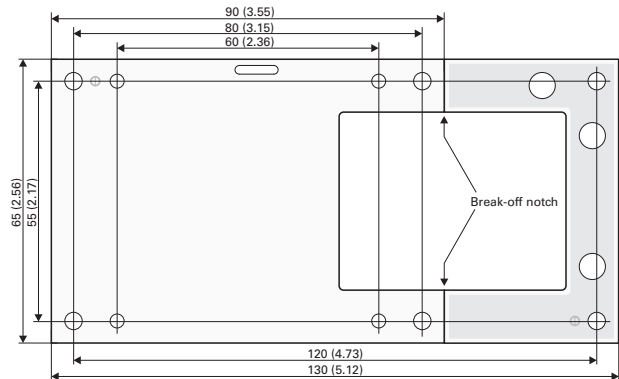


## CONNECTION EB2E2AHE



## MEASUREMENTS

Measurements in mm (inch), not scale!



## POWER SUPPLY ET 901 OVER EB2E2A

- First of all, check if ET 901 is already supplied with 24 V
- Connect 24 VAC power supply to I/O plug
- Connect terminals L1, L2 to PWR connectors of ET 901 (the 24 VAC power supply connected to the I/O plug is given out to terminals L1, L2)
- Lead wires (from L1, L2 to ET 901) through the appropriate cable holes (1–3)
- EB2E2A (as ET 901) is equipped with a protection circuit, in case the ET 901 is already supplied with 24 V (nonetheless check first, if power supply already exists)

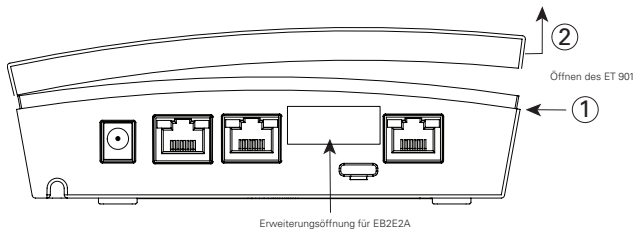


# Installation

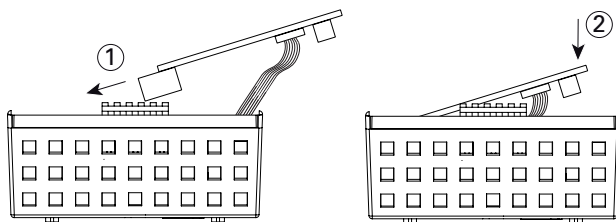
## INSTALLATION EB2E2A IN ET 901

The following mounting instructions refer to IP-Intercom boxes ET 901 with min. Rev. AI:

- Open ET 901 and break out expansion opening



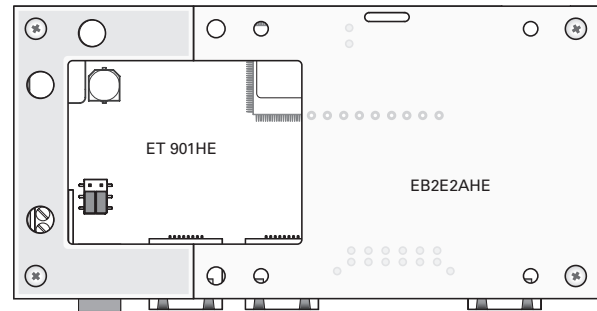
- Connection EB2E2A  
Connect the cables, this means connection to ET 901 with ribbon cable and if required, connection of terminals L1, L2 to PWR connectors of ET 901
- Fix the option board EB2E2A



## MOUNTING OF EB2E2AHE TO ET 901HE

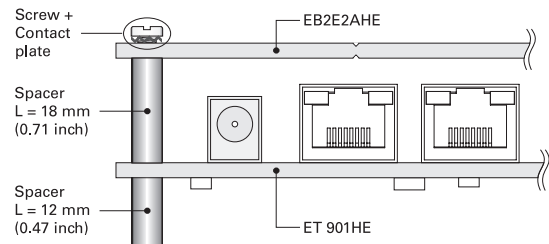
The following mounting instructions refer to IP-Intercom PCBs ET 901HE with min. Rev. AG:

View from above:



- EB2E2AHE upside down (this means with I/O terminals down) to ET 901HE
- Alignment EB2E2AHE as shown in the picture above

Front view:



4x each:

- Position spacer with length 18 mm (0.71 inch) between EB2E2AHE and ET 901HE
- Screw on over-head screw with contact plate to spacer with length 18 mm (0.71 inch) – EB2E2AHE thus is fastened
- Screw on spacer with length 12 mm (0.47 inch) to spacer with length 18 mm (0.71 inch) – ET 901HE thus is fastened

## QUALITY TESTED. RELIABLE. SMART.

COMMEND products are developed and manufactured by Commend International in Salzburg, Austria.

The development and manufacturing processes are certified in accordance with **EN ISO 9001:2008**.

The technical data contained herein has been provided solely for informational purposes and is not legally binding. Subject to change, technical or otherwise. IoT<sup>®</sup>, OpenDuplex<sup>®</sup> and Commend<sup>®</sup> are trademarks registered by Commend International GmbH. All other brands or product names are trademarks or registered trademarks of the respective owner and have not been specifically earmarked.

## A STRONG WORLDWIDE NETWORK

COMMEND is represented the world over by local Commend Partners and helps to improve security and communication with tailored solutions.

[www.commend.com](http://www.commend.com)

